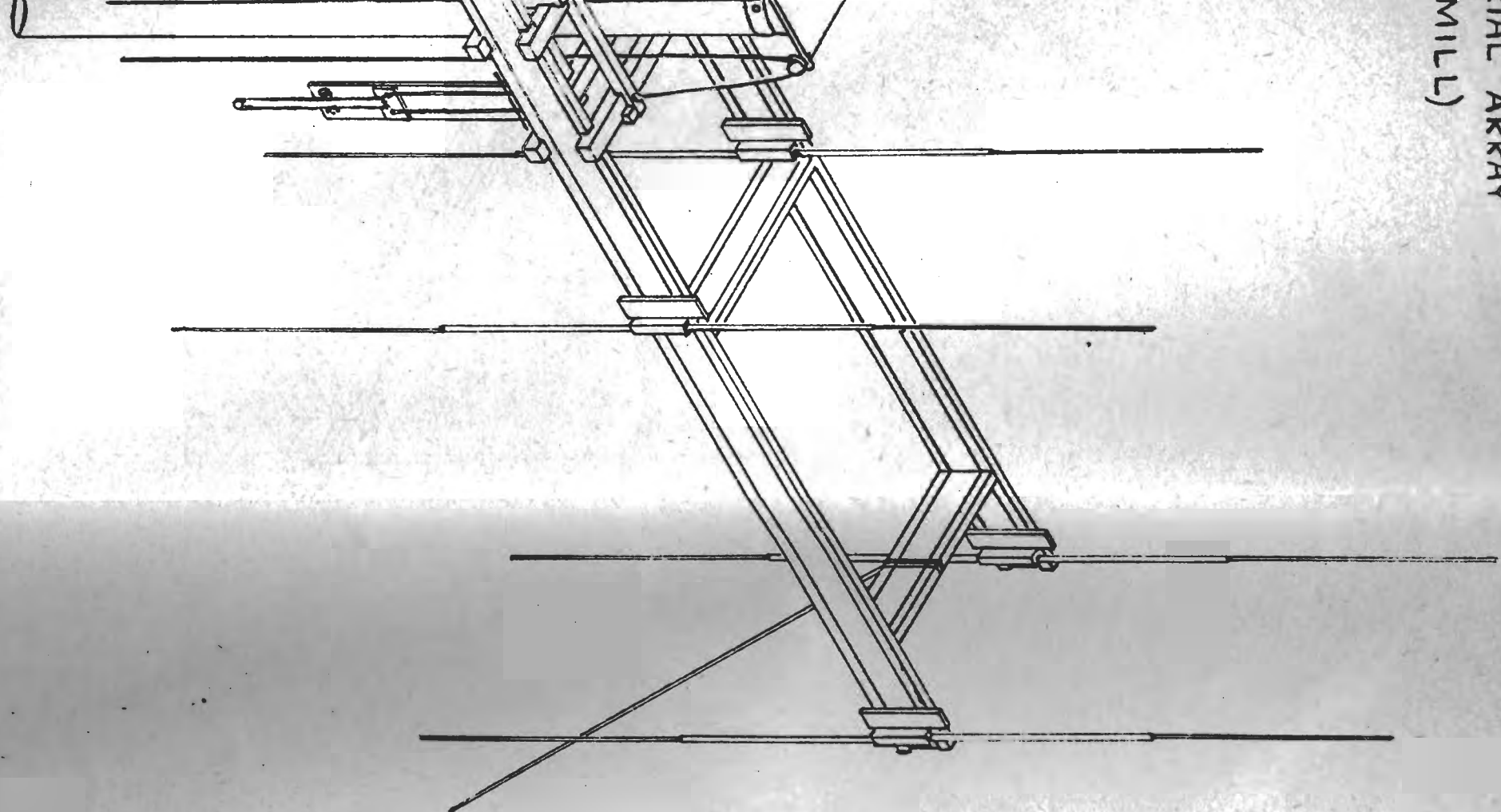


ARR AER
(WIND

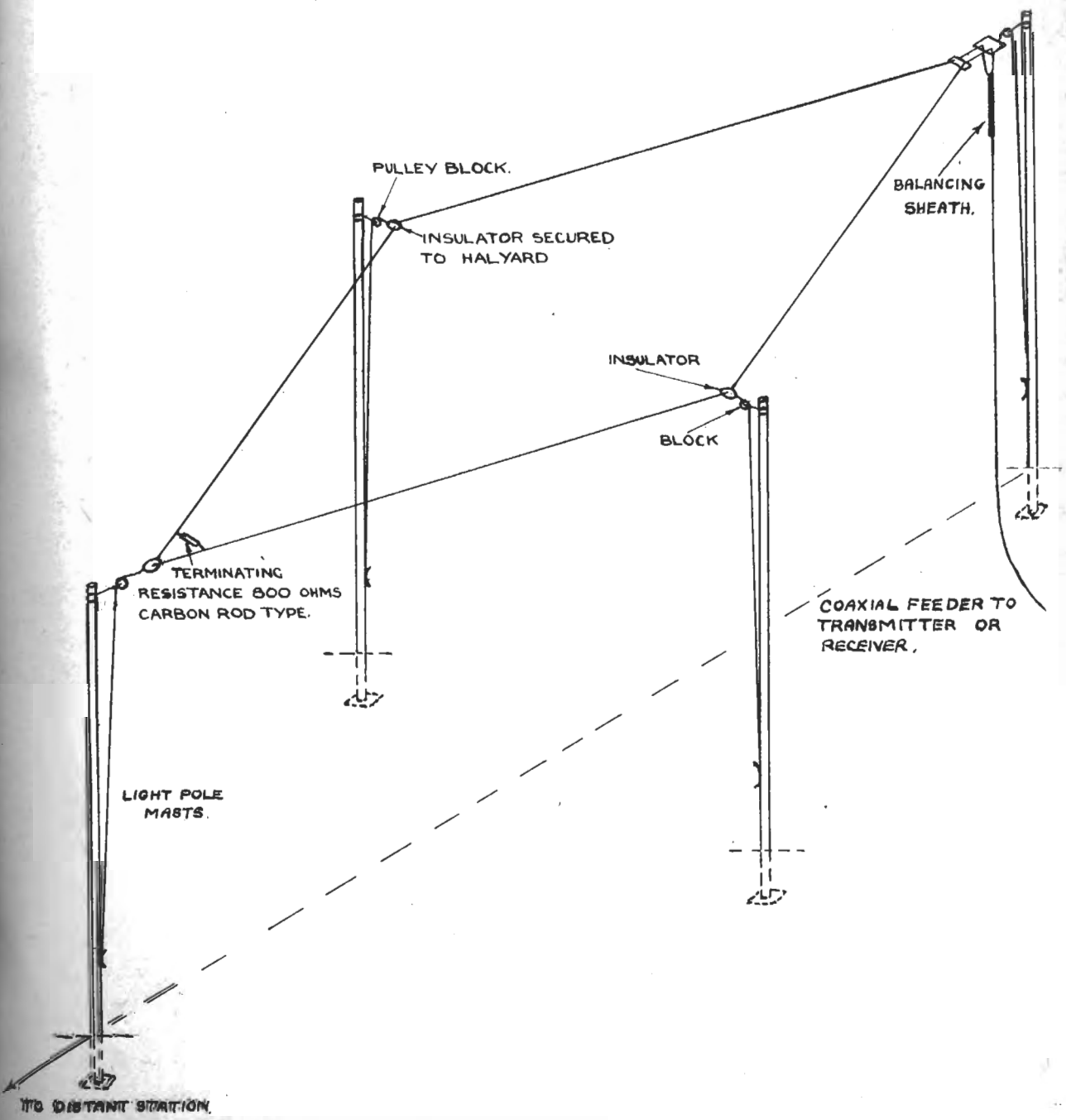
IAL ARRAY
(MILL)



ARR
ARRAY

5

ARV RHOMBIC AERIAL.



PULLEY BLOCK.

INSULATOR SECURED TO HALYARD

BALANCING SHEATH.

INSULATOR

BLOCK

TERMINATING RESISTANCE 800 OHMS CARBON ROD TYPE.

COAXIAL FEEDER TO TRANSMITTER OR RECEIVER.

LIGHT POLE MASTS.

THE DISTANT STATION.

V. H/F COMMUNICATION

7- SCHEMATIC OF SINGLE CHANNEL V.F. KEYING SYSTEM

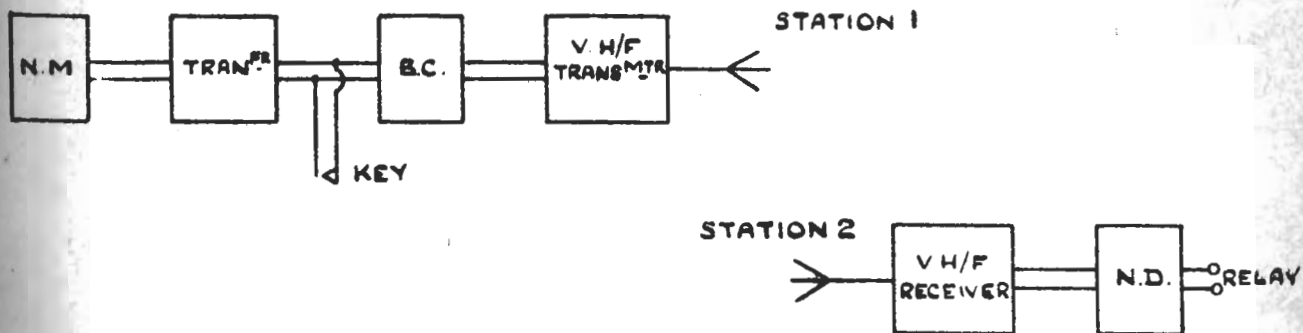
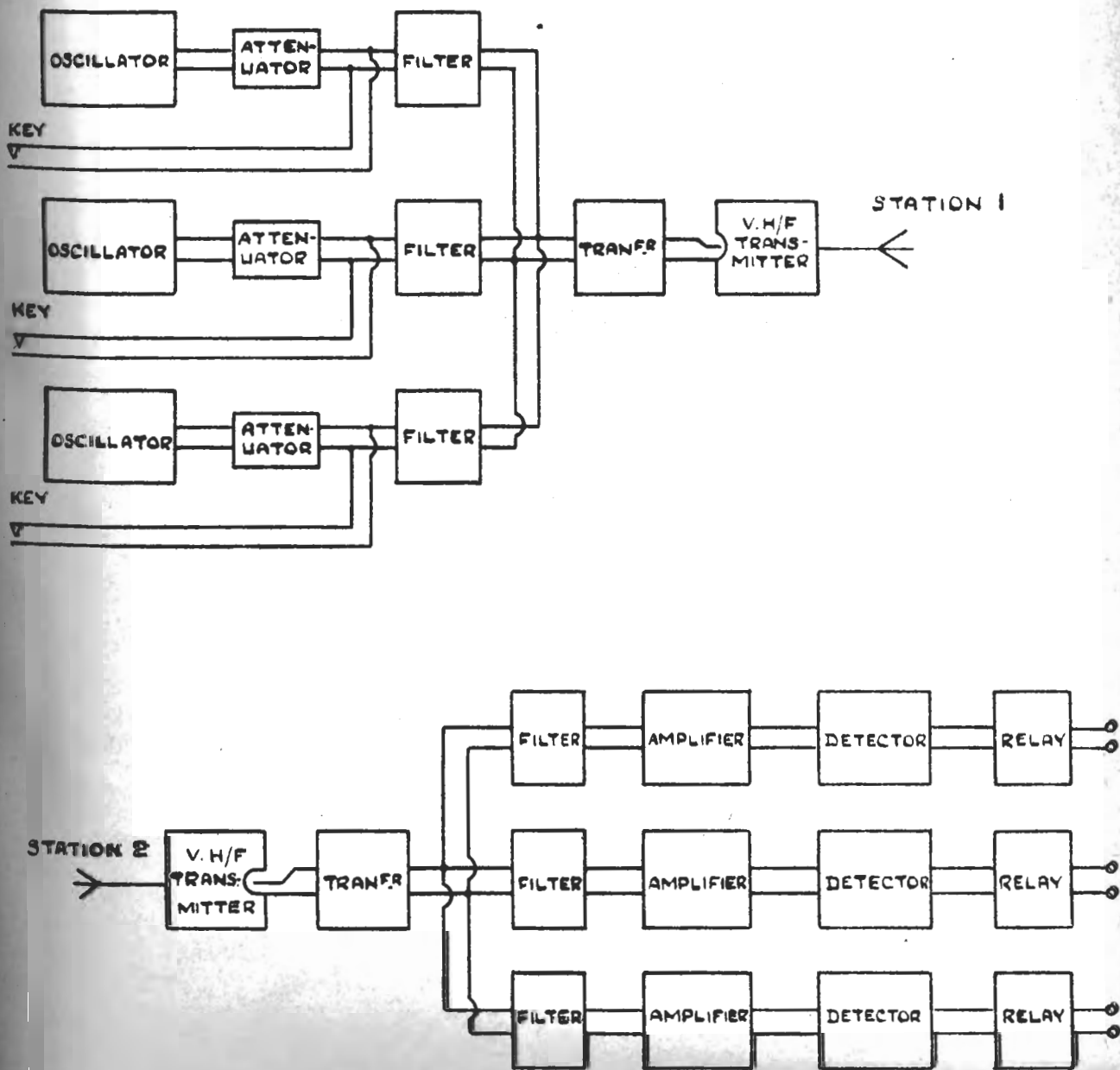


FIG.7.

8- SCHEMATIC OF MULTI-CHANNEL V.F. KEYING SYSTEM



S+D & T.P. STATION.

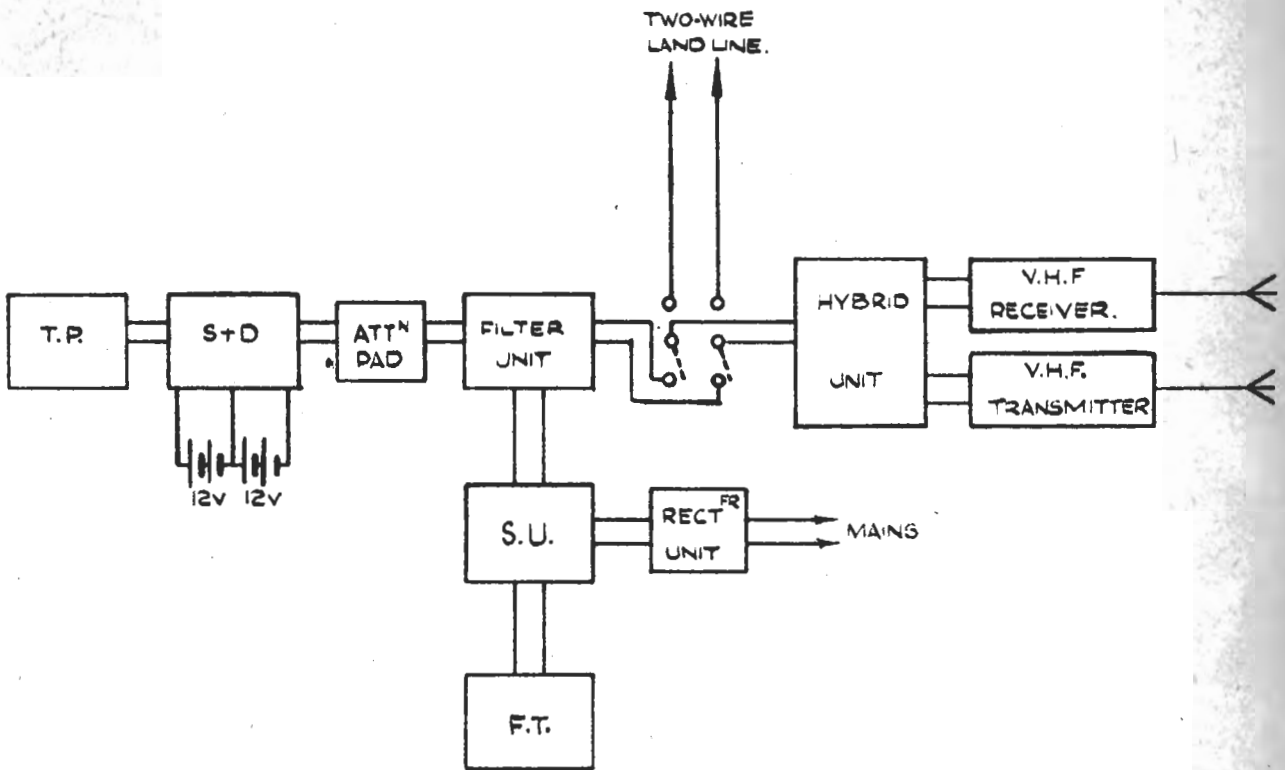
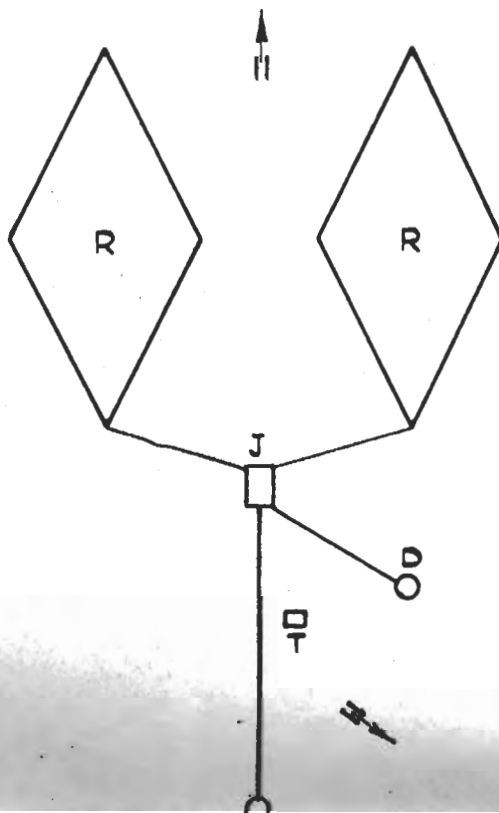


FIG. 9

TYPICAL LAYOUT OF STATION YY



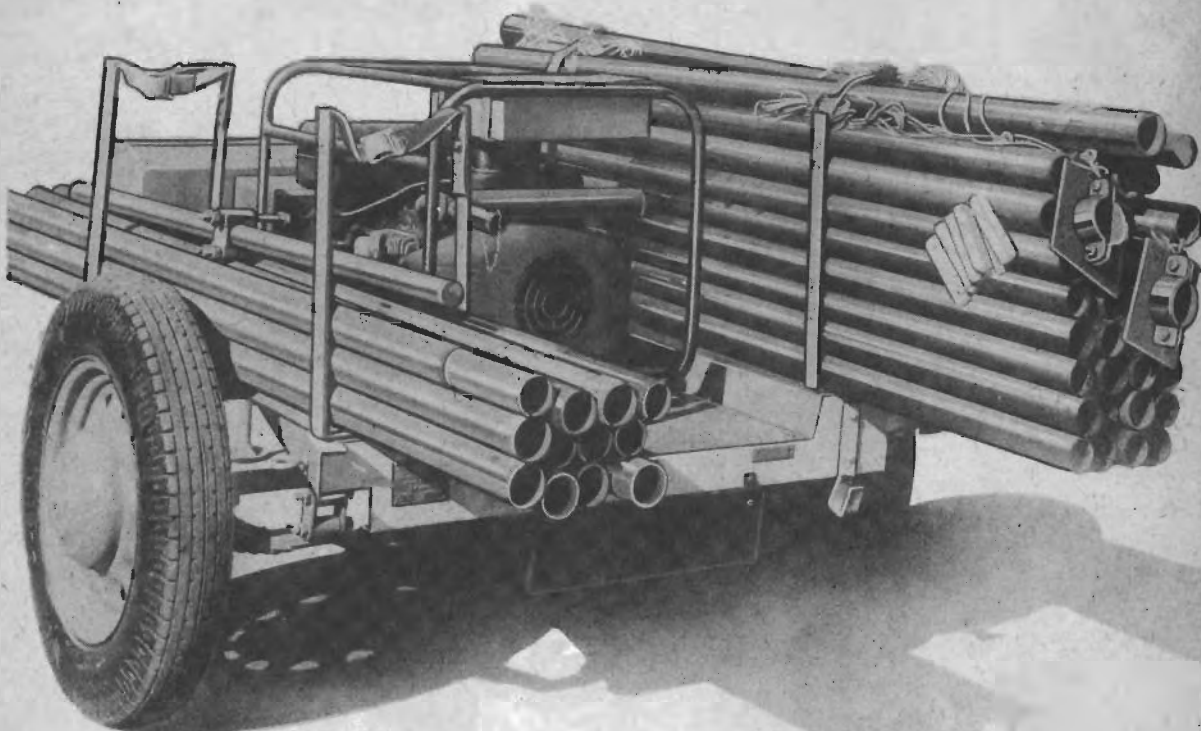


EQUIPPED
JEEP

JEEP, EQUIPPED WITH V H/F SETS

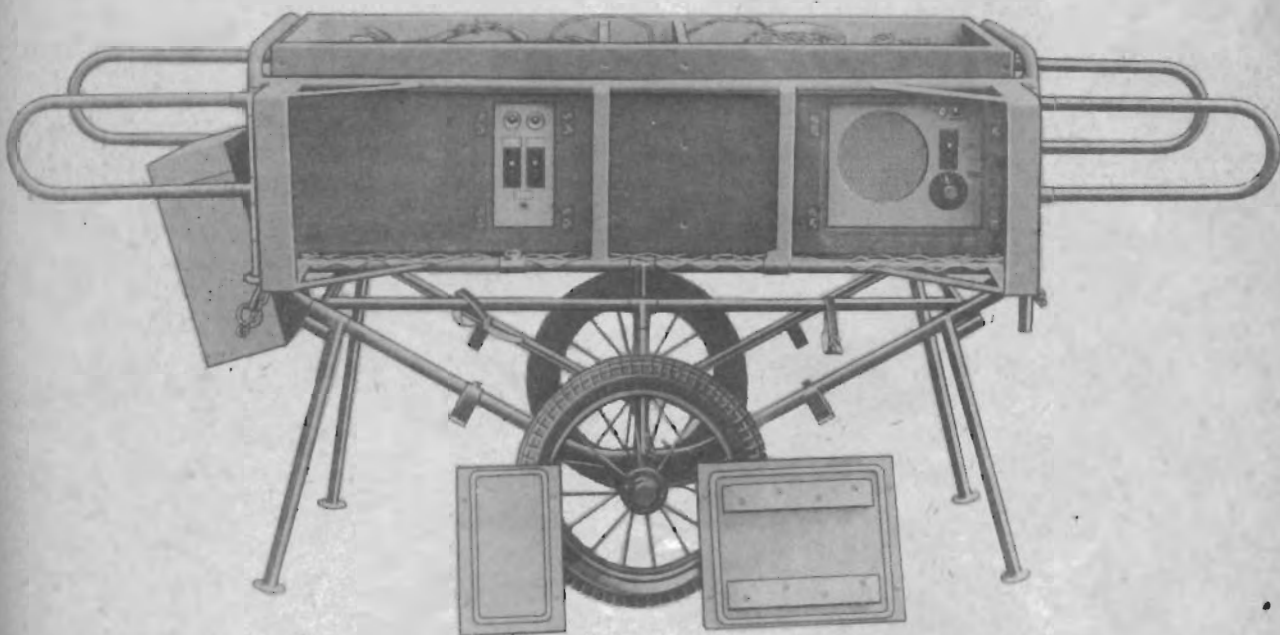


TRAILER, PARTIALLY LOADED



HANDCART STATION

COVERS REMOVED



BATTERY HANDCART
COVERS REMOVED



HANDCART STATION

(SET UP FOR OPERATION)

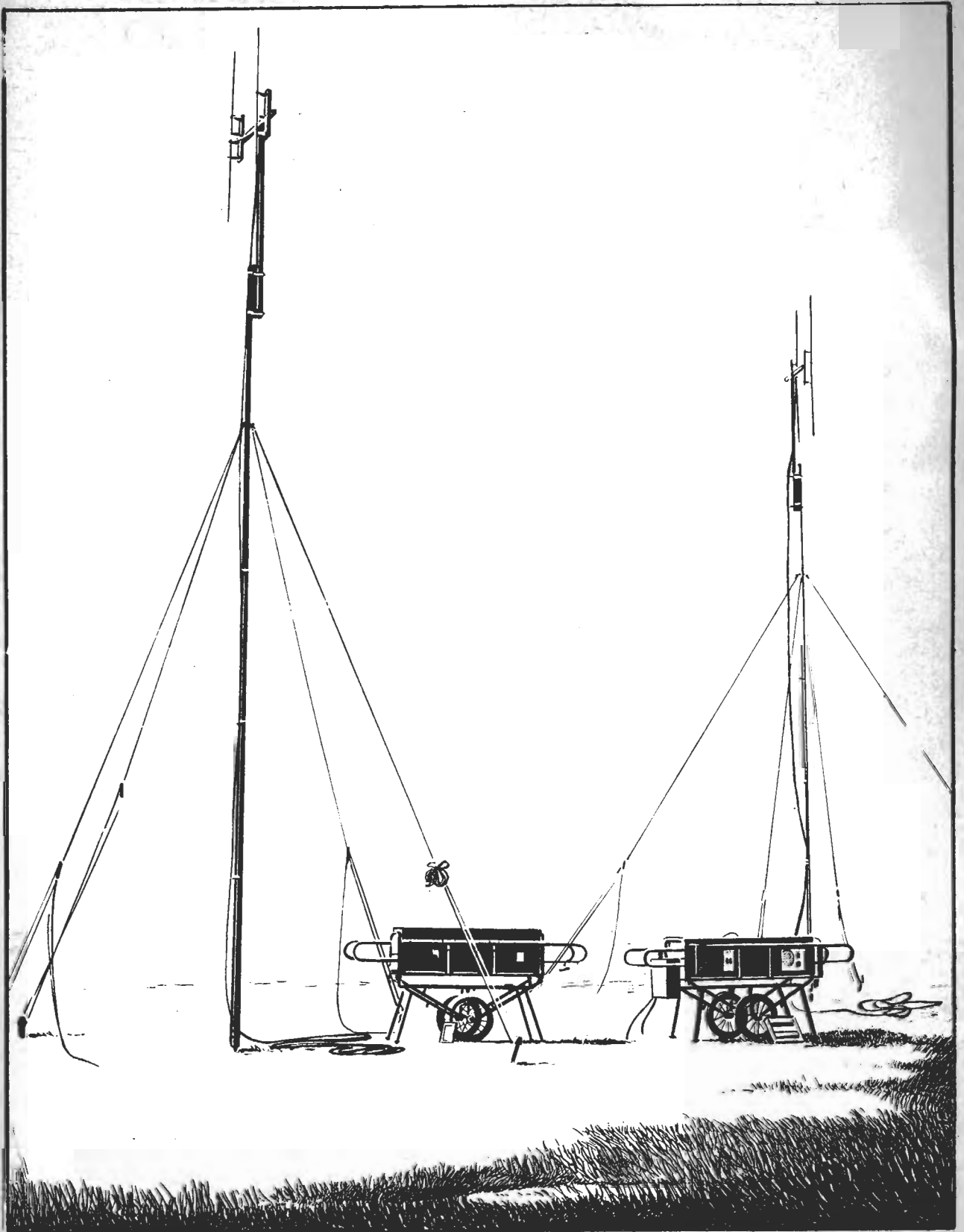
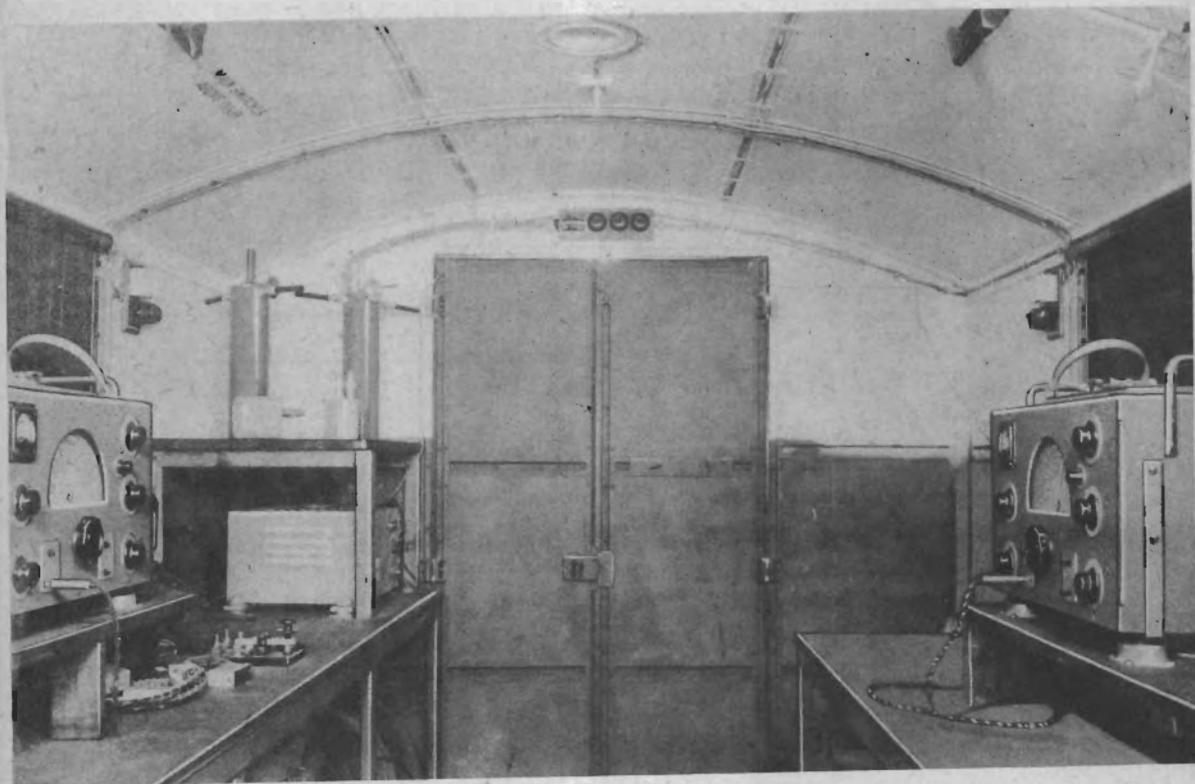


FIG. 15.

17

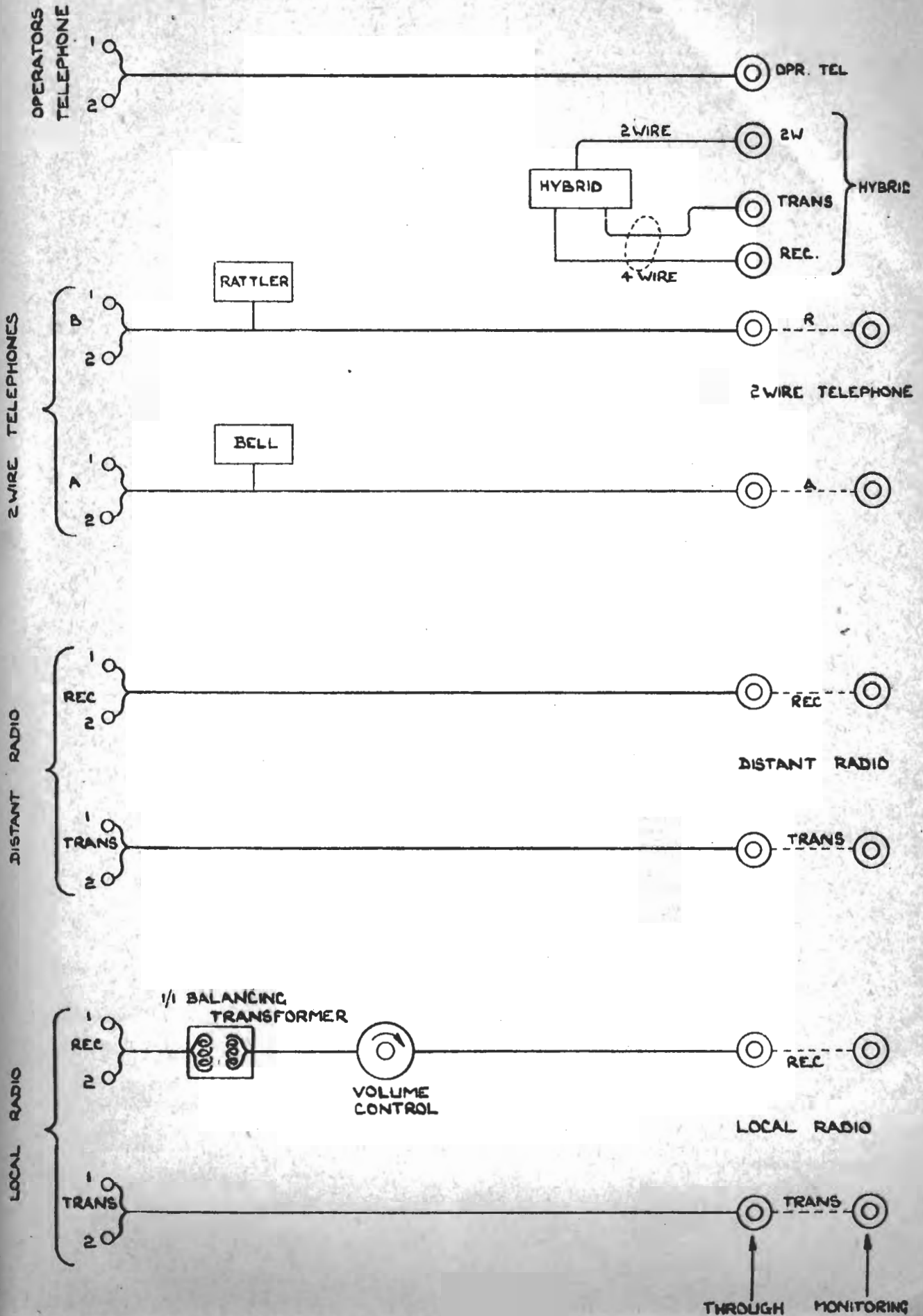
C.R.R.
SINGLE
CHANNEL

C.R.R. SHOWING
SINGLE CHANNEL V/F LINK



V. H/F. COMMUNICATION

PATT. W 9099 "LINKING UNIT" R/T MOBILE
 OUTLINE SCHEMATIC DIAGRAM



V H/F COMMUNICATION

LINKING UNIT R/T MOBILE PATT W9099
EXTERNAL CONNECTIONS.

